

Kentucky

State High School Basketball Tournament

LOUISVILLE KENTUCKY

*74th Boys'
Sweet Sixteen*

Official Statistics
Game Eight
Fairdale vs. Laurel County

RUPP ARENA • LEXINGTON, KENTUCKY • MARCH 13-16, 1991 • \$2.00



OFFICIAL NCAA BASKETBALL BOX SCORE: *** FINAL ***

Date: 01-14-91 Site: Lexington, Ky.

VISITORS (Last Name, First)

NO.	LAUREL COUNTY	Tot FG		3-POINT		FT	FTA	Rebounds			PF	TP	A	TO	BLK	S	TIME
		FG	FGA	FG	FGA			OFF	DEF	TOT							
14	Elza, Brian	2	9	0	4	4	8	0	2	2	2	8	1	3	0	3	26:59
51	Deaton, Anthony	2	6	0	3	5	5	2	5	7	3	9	0	2	0	1	23:34
55	Brown, Danny	3	7	0	1	10	12	2	6	8	2	16	0	5	0	1	26:21
23	O'Bannon, Jason	1	3	0	1	1	6	0	2	2	5	3	0	2	0	1	14:23
21	Sams, Ben	3	10	0	1	4	6	0	3	3	2	10	6	4	0	3	29:29
10	Adams, Wade	0	1	0	1	1	2	0	0	0	2	1	0	0	0	0	9:44
53	Murray, Keith	1	3	0	0	2	2	3	1	4	2	4	0	1	0	0	10:03
12	Snyder, Jerry	0	0	0	0	0	0	0	0	0	0	0	0	0	0	0	7:03
41	Rawlings, Phil	0	0	0	0	0	0	0	0	0	0	0	0	0	0	0	2:54
34	Kielian, Matt	0	2	0	0	0	0	0	3	3	1	0	0	2	0	0	2:54
35	Jones, Brandon	0	0	0	0	0	0	0	0	0	1	0	0	0	0	0	2:31
30	Cupp, Darren	0	0	0	0	0	0	0	0	0	0	0	0	0	0	0	2:10
31	Steele, Jackie	0	2	0	0	0	0	1	1	2	1	0	0	1	0	0	1:55
TEAM REBOUNDS (INCLUDED IN TOTALS)								4	1	5							
TOTALS		12	43	0	11	27	41	12	24	36	21	51	7	20	0	9	160

TOTAL FG	1st HALF	4/9	44.4%	2nd HALF	8/34	23.5%	GAME	12/43	27.9%	DEADBALL	
3-POINT FG	1st HALF	0/1	0.0%	2nd HALF	0/10	0.0%	GAME	0/11	0.0%	REBOUNDS	9
FREE THROWS	1st HALF	4/9	44.4%	2nd HALF	23/32	71.9%	GAME	27/41	65.9%		

HOME (Last Name, First)

NO.	FAIRDALE	Tot FG		3-POINT		FT	FTA	Rebounds			PF	TP	A	TO	BLK	S	TIME
		FG	FGA	FG	FGA			OFF	DEF	TOT							
04	Brown, Jermaine	6	12	1	1	6	11	5	7	12	4	19	3	1	2	1	25:23
22	Morris, Maurice	5	11	3	5	6	11	2	3	5	4	19	1	6	1	1	26:12
25	Comstock, Tim	1	4	0	1	0	0	2	1	3	5	2	1	1	0	0	10:40
05	Thompson, Jeff	2	6	1	3	2	2	0	0	0	3	7	3	0	0	2	28:04
15	Turner, Carlos	7	17	3	12	1	2	4	5	9	2	18	2	1	1	3	28:51
33	Bishop, Sean	1	3	0	0	2	2	2	3	5	2	4	1	3	0	1	14:08
30	Kelso, Chris	0	0	0	0	0	0	0	1	1	3	0	0	1	0	0	9:01
10	Gardner, Jason	0	0	0	0	0	0	0	1	1	1	0	1	0	0	0	2:23
12	Morris, Rashawn	0	1	0	0	0	2	0	1	1	1	0	0	1	0	2	3:56
34	Taylor, Leland	0	0	0	0	0	0	0	0	0	0	0	0	1	1	0	3:09
32	Votaw, Brad	0	0	0	0	0	0	0	1	1	0	0	0	0	0	1	3:09
11	Hicks, David	0	0	0	0	0	0	0	1	1	0	0	0	0	0	0	2:54
21	Wales, Tony	1	2	0	0	1	4	0	1	1	0	3	0	0	0	0	2:10
TEAM REBOUNDS (INCLUDED IN TOTALS)								1	1	2							
TOTALS		23	56	8	22	18	34	16	26	42	25	72	12	15	5	11	160

TOTAL FG	1st HALF	7/15	46.7%	2nd HALF	16/41	39.0%	GAME	23/56	41.1%	DEADBALL	
3-POINT FG	1st HALF	2/4	50.0%	2nd HALF	6/18	33.3%	GAME	8/22	36.4%	Rebounds	7
FREE THROWS	1st HALF	1/3	33.3%	2nd HALF	17/31	54.8%	GAME	18/34	52.9%		

OFFICIALS: Randall Curry, Ancie Casey, H. Finney-Alt.
 Technicals: None

SCORE BY PERIODS					
LAUREL COUNTY	12	12	13	14	= 51
FAIRDALE	17	24	20	11	= 72

Attendance: 15,875

COMMENTS:	POINTS OFF TURNOVERS	SECOND CHANCE POINTS
LAUREL COUNTY	13	11
FAIRDALE	13	11

LAUREL COUNTY "Cardinals" vs FAIRDALE "Bulldogs"
1st Half Play by Play

PAGE : 1

Tip-off at 9:30 p.m. on 01/14/91 at Lexington, Ky.
Produced by the University of Kentucky Stat Crew with FINAL III - a Product of LEXICON

Player	Team	FAIRDALE	Time	Score	LAUREL COUNTY	Player	Team
Brown, Jermaine, Morris, Maurice, Comstock, Tim, Thompson, Jeff, Turner, Carlos					Elza, Brian, Deaton, Anthony, Brown, Danny, O'Bannon, Jason, Sams, Ben		
					Ball to Cardinals		
1	1	Foul on Comstock, Tim	1 7:42				
			1 7:42	0-1*	Elza, Brian 2 Free Throws - made 1st missed 2nd	1- 2	50.0%
1-1	100%	1-1 100%	1 7:35	*2-1		1- 2	50.0%
1	1	15 ft Lane Jump shot by Comstock, Tim Assist by Morris, Maurice					
			1 7:17	2-3*	Fast Break Layup by Deaton, Anthony Assist by Sams, Ben	1-1	100%
2	2	Foul on Comstock, Tim	1 7:17			1	100%
		Sub In: Bishop, Sean Out: Comstock, Tim	1 7:17				
1-1	100%	2-3 66.6%	1 7:17	2-4*	Deaton, Anthony 1 Free Throw - made	1- 1	100%
			1 6:46	*4-4			
1-1	100%	2-3 66.6%	1 6:33	4-6*	4 ft Lane Bank by O'Bannon, Jason	1-1	100%
			1 5:45	4-8*	Layup Alley Oop by Brown, Danny Assist by Sams, Ben	1-1	100%
2-2	100%	3-5 60.0%	1 5:31	*7-8		2	100%
			1 5:05		Foul on O'Bannon, Jason	1	100%
1- 2	50.0%	1- 2 50.0%	1 5:05	*8-8			
1	3	Morris, Maurice 2 Free Throws - missed 1st made 2nd	1 4:16				
		Foul on Thompson, Jeff	1 4:16				
		Sub In: Kelso, Chris Out: Bishop, Sean	1 4:16		O'Bannon, Jason 2 Free Throws - missed both	0- 2	00.0%
3-3	100%	4-8 50.0%	1 3:58	*10-8		1	40.0%
			1 3:57		Foul on Deaton, Anthony		
0- 1	00.0%	1- 3 33.3%	1 3:57				
1-3	33.3%	5-10 50.0%	1 3:24	*12-8			
			1 2:47		Sub In: Adams, Wade Out: O'Bannon, Jason		
			1 2:46		Sub In: Murray, Keith Out: Deaton, Anthony		
1	4	Foul on Kelso, Chris	1 2:25				
2-4	50.0%	6-13 46.1%	1 2:25	12-10*	Brown, Danny 2 Free Throws - made both	2- 2	100%
1	2	3 pt 24 ft Right Side Jump shot by Turner, Carlos Assist by Brown, Jermaine	1 2:13	*15-10			
			1 1:54	15-12*	6 ft Left Side Turnaround by Brown, Danny Assist by Sams, Ben	2-2	100%
1	5	Foul on Morris, Maurice	1 1:20			3	50.0%
			1 1:20		Sub In: O'Bannon, Jason Out: Elza, Brian		
			1 1:20		Sub In: Deaton, Anthony Out: Brown, Danny		
			1 1:18				
1	6	Sub In: Bishop, Sean Out: Kelso, Chris Foul on Turner, Carlos	1 1:16				
			1 1:15		Sams, Ben 2 Free Throws - missed both	0- 2	00.0%
3-5	60.0%	7-15 46.6%	1 1:00	*17-12		4- 9	44.4%
2	3	11 ft Right Side Jump shot by Turner, Carlos Assist by Brown, Jermaine					

LAUREL COUNTY "Cardinals" vs FAIRDALE "Bulldogs"
1st Half Play by Play

PAGE : 2

Tip off at 9:30 p.m. on 01/14/91 at Lexington, Ky.
Produced by the University of Kentucky Stat Crew with FINAL III - a Product of LEXICON SPORTS

Player	Team	FAIRDALE	Time	Score	LAUREL COUNTY	Player	Team	
Brown, Jermaine	Thompson, Jeff	Turner, Carlos			Bishop, Sean	Morris, Maurice		
1	7	Ball to Bulldogs	2 7:31		Foul on Brown, Jermaine			
4-6	66.6% 8-18 44.4%	3 pt 21 ft Right Angle Jump shot by Turner, Carlos	2 7:31	17-14*	Deaton, Anthony 2 Free Throws - made both	3- 3	100% 6-11 54.5%	
1	4	Assist by Thompson, Jeff	2 6:50	*20-14				
2	8	Foul on Thompson, Jeff	2 6:08		O'Bannon, Jason 2 Free Throws - missed both	0- 4	00.0% 6-13 46.1%	
			2 6:08		Foul on Elza, Brian	1	3	
			2 5:14					
		REB: 12 A: 4 BLK: 2 TO: 5 PF: 8	2 5:14		REB: 12 A: 3 BLK: 0 TO: 7 PF: 3			
S: 4	FT: 1-3 33.3%	FG: 8-19 42.1%	T I M E - O U T		LAUREL COUNTY No. 1	S: 3	FT: 6-13 46.1% FG: 4-12 33.3%	
2- 4	50.0%	2- 5 40.0%	Morris, Maurice 2 Free Throws - missed 1st made 2nd	2 5:14	*21-14			
1-3	33.3%	9-20 45.0%	3 pt 22 ft Left Side Jump shot by Morris, Maurice	2 5:10		Foul on O'Bannon, Jason	2	4
1	9	Foul on Bishop, Sean	2 5:04	*24-14				
		Sub In: Kelso, Chris Out: Bishop, Sean	2 5:04					
2	10	Foul on Kelso, Chris	2 5:04	24-16*	Deaton, Anthony 2 Free Throws - made both	5- 5	100% 8-15 53.3%	
2-4	50.0%	10-23 43.4%	3 pt 20 ft Right Base Line Jump shot by Morris, Maurice	2 4:39				
3	5	Assist by Brown, Jermaine	2 4:39	24-17*	Brown, Danny 2 Free Throws - missed 1st made 2nd	3- 4	75.0% 9-17 52.9%	
2- 5	40.0%	2- 6 33.3%	Morris, Maurice 1 Free Throw - missed	2 3:48	*27-17			
				2 3:48	Foul on Elza, Brian	2	5	
1- 3	33.3%	3- 8 37.5%	Brown, Jermaine 2 Free Throws - missed 1st made 2nd	2 3:44				
3	11	Foul on Kelso, Chris	2 3:44		Foul on O'Bannon, Jason	3	6	
		Sub In: Bishop, Sean Out: Kelso, Chris	2 3:44		Sub In: Adams, Wade Out: O'Bannon, Jason			
4-8	50.0%	11-26 42.3%	6 ft Lane Jump shot by Brown, Jermaine	2 3:44	*28-17			
2	12	Foul on Morris, Maurice	2 3:26					
			2 3:25		Sub In: Murray, Keith Out: Deaton, Anthony			
			2 3:25	28-18*	Adams, Wade 2 Free Throws - made 1st missed 2nd	1- 2	50.0% 10-19 52.6%	
			2 3:15	*30-18				
			2 2:31					
			2 2:31		Elza, Brian 2 Free Throws - missed both	1- 4	25.0% 10-21 47.6%	
			2 2:15	30-20*	6 ft Lane Jump shot by Murray, Keith	1-1	100% 5-16 31.2%	
					Assist by Elza, Brian	1	4	
			2 1:54	30-22*	4 ft Lane Bank by Sams, Ben	1-5	20.0% 6-17 35.2%	
			2 1:45		Sub In: Deaton, Anthony Out: Brown, Danny			
			2 1:41		Foul on Adams, Wade	1	7	
2- 2	100%	5-10 50.0%	Bishop, Sean 2 Free Throws - made both	2 1:41	*32-22			
2	13	Sub In: Gardner, Jason Out: Morris, Maurice	2 1:41					
		Foul on Brown, Jermaine	2 1:32					
			2 1:32	32-24*	Sams, Ben 2 Free Throws - made both	2- 4	50.0% 12-23 52.1%	
			2 1:32					
3-6	50.0%	12-28 42.8%	3 pt 21 ft Left Side Jump shot by Morris, Maurice	2 1:32				
1	6	Assist by Bishop, Sean	2 1:21	*35-24				
			2 1:07		Foul on Murray, Keith	1	8	
2- 4	50.0%	6-11 54.5%	Brown, Jermaine 1 Free Throw - made	2 1:07	*36-24			
		Sub In: Gardner, Jason Out: Morris, Maurice	2 1:07					
			2 1:07		Sub In: Brown, Danny Out: Murray, Keith			
3- 5	60.0%	7-12 58.3%	Brown, Jermaine 1 Free Throw - made	2 1:06	*37-24			
2- 2	100%	9-14 64.2%	Thompson, Jeff 2 Free Throws - made both	2 0:35	*39-24			
				2 0:35	Foul on Adams, Wade	2	9	

PAGE : 3

1st Half Play by Play (continued)

Player	Team	FAIRDALE	Time	Score	LAUREL COUNTY	Player	Team
5-11	45.4%	13-31 41.9%	Sub In: Morris, Maurice Out: Gardner, Jason	2 0:23			
		Follow Dunk by Turner, Carlos	2 0:01	*41-24			

OFFICIAL NCAA BASKETBALL BOX SCORE: * OFFICIAL FIRST HALF *
Date: 01-14-91 Site:Lexington, Ky.

VISITORS (Last Name, First)

NO.	LAUREL COUNTY	Tot FG		3-POINT		FT	FTA	Rebounds			PF	TP	A	TO	BLK	S	TIME	
		FG	FGA	FG	FGA			OFF	DEF	TOT								
14	Elza, Brian	0	2	0	0	1	4	0	0	0	2	1	1	2	0	2	14:40	
51	Deaton, Anthony	1	2	0	0	5	5	1	2	3	1	7	0	0	0	0	12:54	
55	Brown, Danny	2	5	0	1	3	4	0	4	4	0	7	0	2	0	1	14:02	
23	O'Bannon, Jason	1	3	0	1	0	4	0	2	2	3	2	0	2	0	1	10:49	
21	Sams, Ben	1	6	0	0	2	4	0	2	2	0	4	3	3	0	0	16:00	
10	Adams, Wade	0	0	0	0	1	2	0	0	0	2	1	0	0	0	0	6:31	
53	Murray, Keith	1	1	0	0	0	0	1	0	1	1	2	0	0	0	0	5:04	
TEAM REBOUNDS (INCLUDED IN TOTALS)								3		3								
TOTALS		6	19	0	2	12	23	5	10	15	9	24		4	9	0	4	80

TOTAL FG 1st HALF 4/9 44.4% 2nd HALF 2/10 20.0% GAME 6/19 31.6% DEADBALL
3-POINT FG 1st HALF 0/1 0.0% 2nd HALF 0/1 0.0% GAME 0/2 0.0% REBOUNDS 7
FREE THROWS 1st HALF 4/9 44.4% 2nd HALF 8/14 57.1% GAME 12/23 52.2%

HOME (Last Name, First)

NO.	FAIRDALE	Tot FG		3-POINT		FT	FTA	Rebounds			PF	TP	A	TO	BLK	S	TIME	
		FG	FGA	FG	FGA			OFF	DEF	TOT								
04	Brown, Jermaine	4	8	1	1	3	5	3	6	9	2	12	3	1	0	1	16:00	
22	Morris, Maurice	3	6	3	3	2	5	0	1	1	2	11	1	3	1	1	15:07	
25	Comstock, Tim	1	1	0	0	0	0	0	1	1	2	2	0	0	0	0	0:43	
05	Thompson, Jeff	0	3	0	1	2	2	0	0	0	2	2	1	0	0	1	16:00	
15	Turner, Carlos	5	11	2	7	0	0	3	1	4	1	12	0	0	1	1	16:00	
33	Bishop, Sean	0	2	0	0	2	2	2	3	5	1	2	1	2	0	1	10:40	
30	Kelso, Chris	0	0	0	0	0	0	0	1	1	3	0	0	1	0	0	4:37	
10	Gardner, Jason	0	0	0	0	0	0	0	1	1	0	0	0	0	0	0	0:53	
TEAM REBOUNDS (INCLUDED IN TOTALS)								1		1								
TOTALS		13	31	6	12	9	14	9	14	23	13	41		6	7	2	5	80

TOTAL FG 1st HALF 7/15 46.7% 2nd HALF 6/16 37.5% GAME 13/31 41.9% DEADBALL
3-POINT FG 1st HALF 2/4 50.0% 2nd HALF 4/8 50.0% GAME 6/12 50.0% REBOUNDS 2
FREE THROWS 1st HALF 1/3 33.3% 2nd HALF 8/11 72.7% GAME 9/14 64.3%

OFFICIALS: Randall Curry, Ancie Casey, H. Finney-Alt.
Technical: None

SCORE BY PERIODS

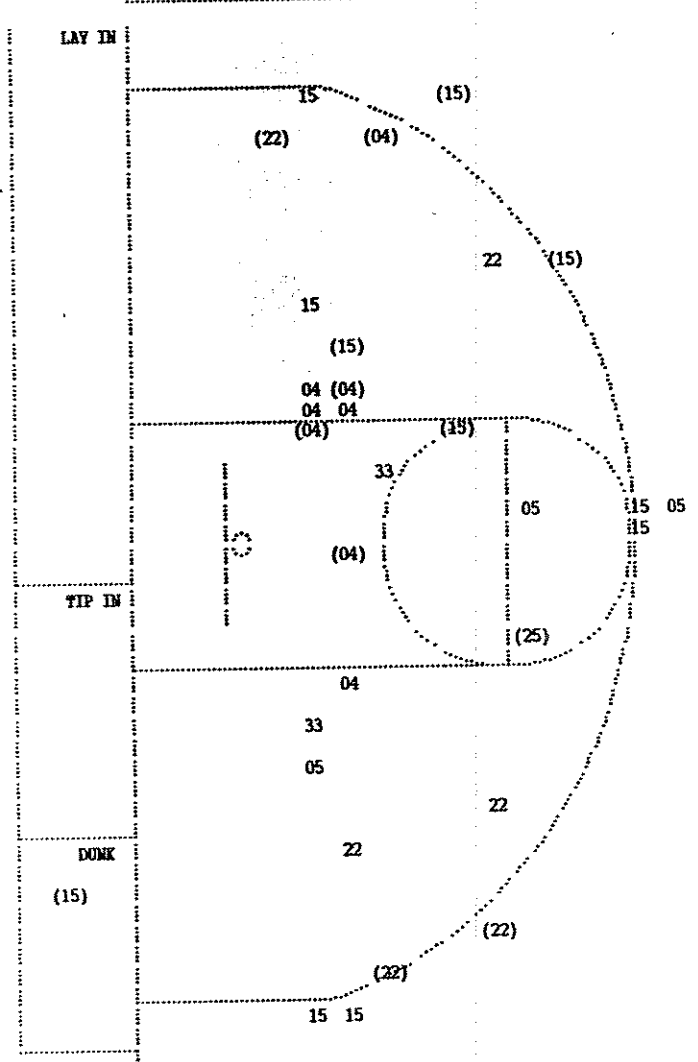
LAUREL COUNTY 12 12 = 24
FAIRDALE 17 24 = 41

Attendance: 15,875

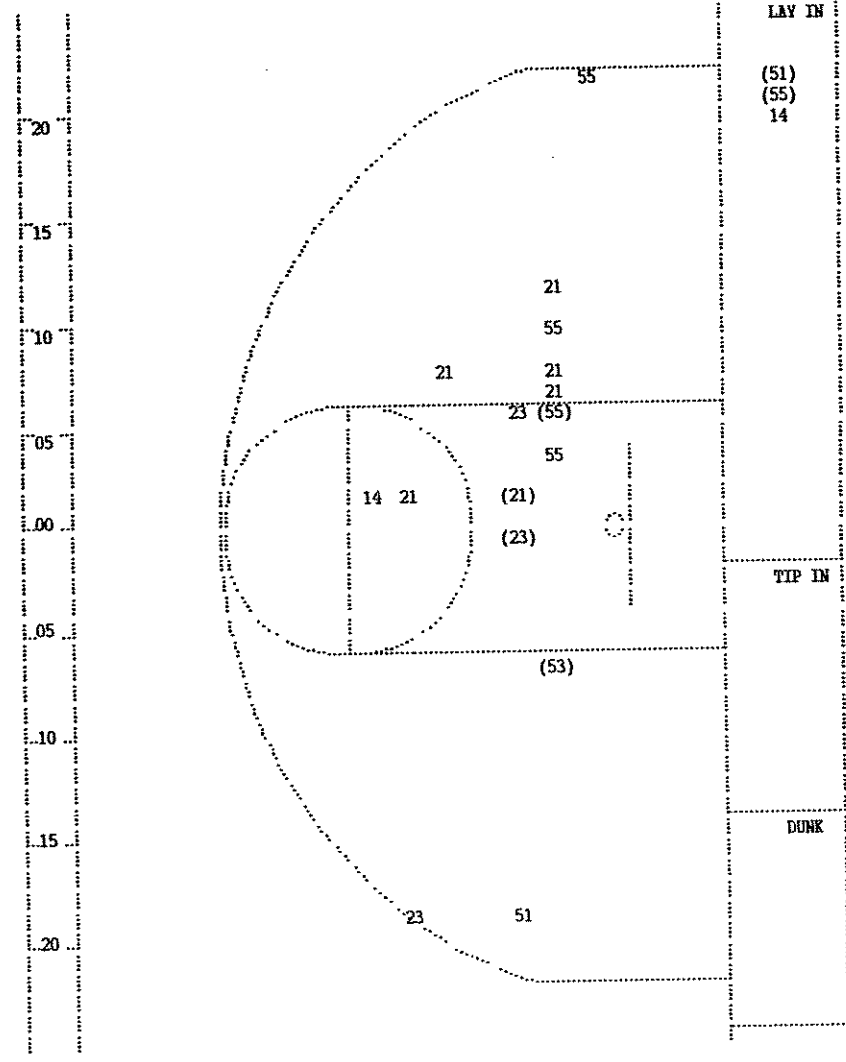
COMMENTS: POINTS OFF TURNOVERS
LAUREL COUNTY 6 FAIRDALE

SECOND CHANCE POINTS
10 LAUREL COUNTY 6 FAIRDALE

FIRST HALF SHOT CHART Produced by the University of Kentucky Stat Crew with FINAL III - a Product of LEXICON SPORTS™



FAIRDALE					
Player			Player		Player
04 - Brown, Jer	4 / 8	50.0%	33 - Bishop, Se	0 / 2	0.0%
22 - Morris, Ma	3 / 6	50.0%			
25 - Coomstock,	1 / 1	100.0%			
05 - Thompson,	0 / 3	0.0%			
15 - Turner, Ca	5 / 11	45.4%			
Layups	1-9 Ft		10-15 Ft	Over 15 Ft	3 Pointers Total
1 / 1	3 / 9	33.3%	0 / 2	6 / 12	13 / 31
100.0%	33.3%	42.9%	0.0%	50.0%	41.9%



LAUREL COUNTY					
Player			Player		Player
14 - Elza, Bria	0 / 2	0.0%	53 - Murray, Ke	1 / 1	100.0%
51 - Deaton, An	1 / 2	50.0%			
55 - Brown, Dan	2 / 5	40.0%			
23 - O'Bannon,	1 / 3	33.3%			
21 - Sams, Ben	1 / 6	16.6%			
Layups	1-9 Ft		10-15 Ft	Over 15 Ft	3 Pointers Total
2 / 3	4 / 8	50.0%	0 / 5	0 / 1	0 / 2
66.7%	50.0%	0.0%	0.0%	0.0%	6 / 19
					31.6%

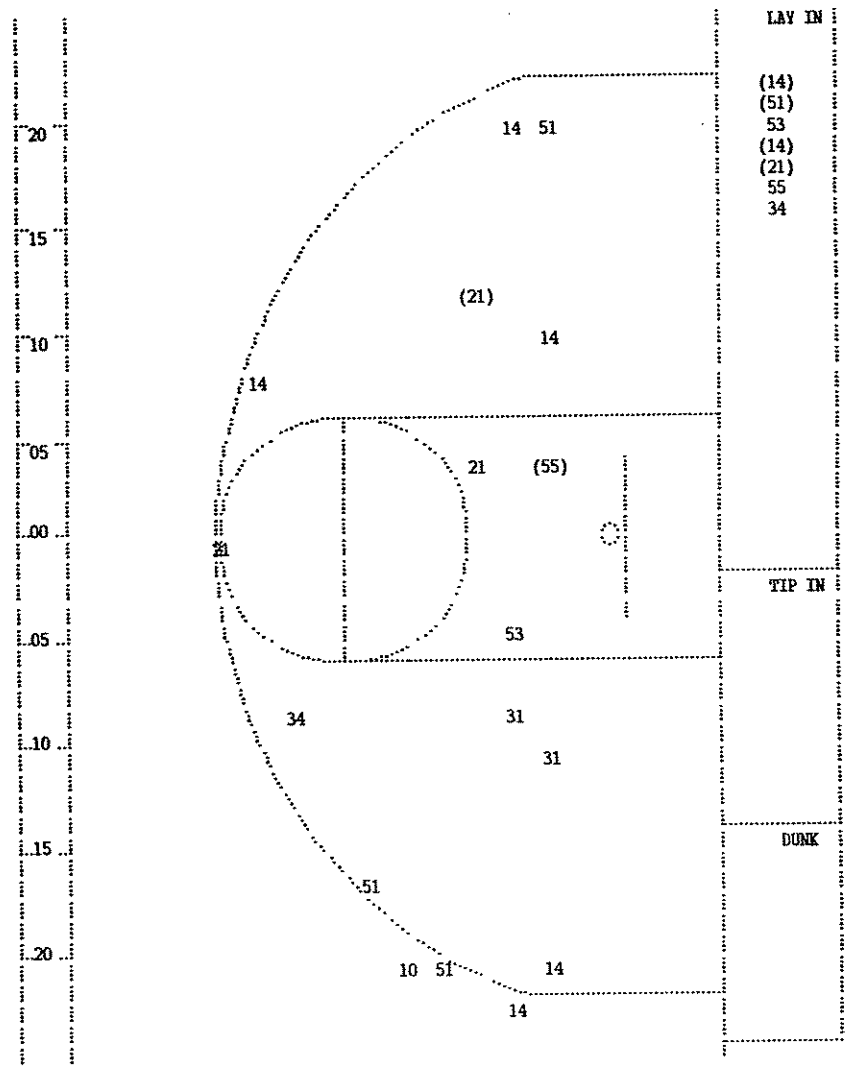
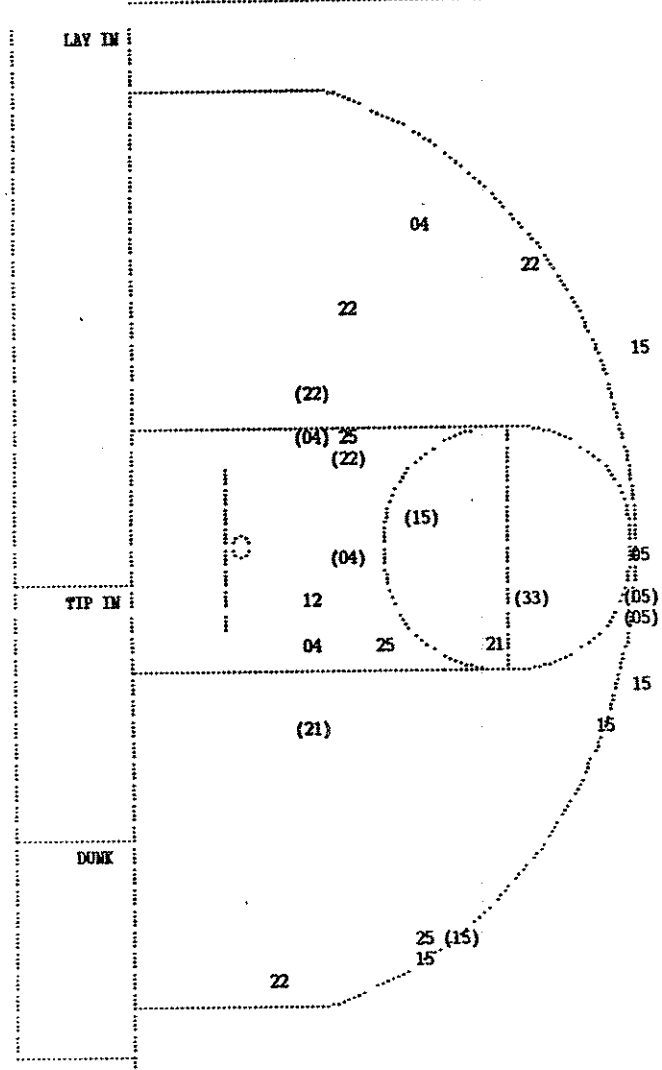
LAUREL COUNTY "Cardinals" vs FAIRDALE "Bulldogs"
2nd Half Play by Play

PAGE : 3

Tip off at 9:30 p.m. on 01/14/91 at Lexington, Ky.
Produced by the University of Kentucky Stat Crew with FINAL III - a Product of LEXICOM

Player	Team	FAIRDALE	Time	Score	LAUREL COUNTY	Player	Team		
Brown, Jermaine	Morris, Maurice	Constock, Tim	Thompson, Jeff	Turner, Carlos	Elza, Brian	Snyder, Jerry	Brown, Danny	Murray, Keith	Sams, Ben
5-9	55.5%	16-26	61.5%	Morris, Maurice	2 Free Throws - made 1st missed 2nd	4	7:55	*62-37	Ball to Cardinals
5-10	50.0%	20-45	44.4%	6 ft Lane Jump shot by Brown, Jermaine	4	7:27	62-39*	13 ft Left Side Jump shot by Sams, Ben	2-8 25.0% 9-32 28.1%
				REB: 35 A: 11 BLK: 2 TO: 11 PF: 9	4	6:48		REB: 25 A: 6 BLK: 0 TO: 14 PF: 8	
				S: 7 FT: 16-26 61.5% FG: 20-45 44.4%	T I M E - O U T LAUREL COUNTY No. 2			S: 6 FT: 21-35 60.0% FG: 9-32 28.1%	
				Sub In: Kelso, Chris	4	6:48		Sub In: Deaton, Anthony	Out: Murray, Keith
				Sub In: Kelso, Chris	4	6:11	64-41*	Reverse Lay Up Layup by Elza, Brian	2-9 22.2% 10-33 30.3%
				Sub In: Kelso, Chris	4	5:56	64-43*	Fast Break Layup by Sams, Ben	6 7
				Sub In: Kelso, Chris	4	5:41		Foul on Brown, Danny	3-9 33.3% 11-34 32.3%
				Sub In: Kelso, Chris	4	5:41	*65-43	Brown, Danny	2 Free Throws - made both
				Sub In: Kelso, Chris	4	4:34		Sams, Ben	2 Free Throws - made both
				Sub In: Kelso, Chris	4	4:33			4-6 66.6% 25-39 64.1%
				Sub In: Kelso, Chris	4	4:25	65-45*	Brown, Danny	2 Free Throws - made both
				Sub In: Kelso, Chris	4	4:25	65-47*	Sams, Ben	2 Free Throws - made both
				Sub In: Kelso, Chris	4	4:08	*67-47		
				Sub In: Kelso, Chris	4	3:39	*69-47		
				Sub In: Kelso, Chris	4	3:20	69-49*	4 ft Lane Follow by Brown, Danny	3-7 42.8% 12-37 32.4%
				Sub In: Kelso, Chris	4	3:09		Sub In: Murray, Keith	Out: Deaton, Anthony
				Sub In: Kelso, Chris	4	3:09		Sub In: Adams, Wade	Out: Snyder, Jerry
				Sub In: Kelso, Chris	4	2:54		Sub In: Rawlings, Phil	Out: Brown, Danny
				Sub In: Kelso, Chris	4	2:54		Sub In: Kielian, Matt	Out: Elza, Brian
				Sub In: Kelso, Chris	4	2:54		Sub In: Jones, Brandon	Out: Sams, Ben
				Sub In: Kelso, Chris	4	2:31		Foul on Kielian, Matt	1 10
				Sub In: Kelso, Chris	4	2:10		Sub In: Cupp, Darren	Out: Adams, Wade
				Sub In: Kelso, Chris	4	2:10			
				Sub In: Kelso, Chris	4	2:10			
				Sub In: Kelso, Chris	4	1:58		Murray, Keith	2 Free Throws - made both
				Sub In: Kelso, Chris	4	1:58	69-51*	Murray, Keith	2 Free Throws - made both
				Sub In: Kelso, Chris	4	1:55		Sub In: Steele, Jackie	Out: Murray, Keith
				Sub In: Kelso, Chris	4	1:55		Foul on Steele, Jackie	1 11
				Sub In: Kelso, Chris	4	1:49	*70-51		
				Sub In: Kelso, Chris	4	1:34		Foul on Jones, Brandon	1 12
				Sub In: Kelso, Chris	4	1:34			
				Sub In: Kelso, Chris	4	0:43	*72-51		

SECOND HALF SHOT CHART Produced by the University of Kentucky Stat Crew with FINAL III - a Product of LEXICOM SPORTS™



FAIRDALE					
Player			Player		Player
04 - Brown, Jer	2/ 4	50.0%	12 - Morris, Ra	0/ 1	0.0%
22 - Morris, Ma	2/ 5	40.0%	21 - Wales, Ton	1/ 2	50.0%
25 - Comstock,	0/ 3	0.0%	33 - Bishop, Se	1/ 1	100.0%
05 - Thompson,	2/ 3	66.6%			
15 - Turner, Ca	2/ 6	33.3%			
Layups	1-9 Ft	10-15 Ft	Over 15 Ft	3 Pointers	Total
	6 / 10	1 / 3	1 / 2	2 / 10	10 / 25
	60.0%	33.3%	50.0%	20.0%	40.0%

LAUREL COUNTY					
Player			Player		Player
14 - Elza, Bria	2/ 7	28.5%	31 - Steele, Ja	0/ 2	0.0%
51 - Deaton, An	1/ 4	25.0%	34 - Kielian, H	0/ 2	0.0%
55 - Brown, Dan	1/ 2	50.0%	53 - Murray, Ke	0/ 2	0.0%
21 - Sams, Ben	2/ 4	50.0%			
10 - Adams, Wad	0/ 1	0.0%			
Layups	1-9 Ft	10-15 Ft	Over 15 Ft	3 Pointers	Total
	4 / 7	1 / 4	1 / 3	0 / 9	6 / 24
	57.1%	25.0%	33.3%	0.0%	25.0%